



YURATEK

CRS-X

Corneal Cross Linking

www.yuratek.com

CRS-X

Corneal Cross Linking

TECHNICAL SPECIFICATIONS

| | |
|---------------------|--|
| Model | CROSS-CRS-X |
| UV Light Wavelength | 365 nm (± 5 nm) |
| Standard Treatment | 3 Mw/cm ² 10 Mw/cm ² 30 Mw/cm ² Limited at Total 5.4 J/cm ² |
| Customizable | 3-30 Mw/cm ² Continuously Adjustable Limited at Total 5.4 J/cm ² |
| Pulse Duration | 1 Second |
| Beam Function | Continuous / Pulse |
| Aiming Beam | Dual Diode Cross Beam |
| Blue Light | Indicates the Amount of Riboflavin Transfer (Optional) |

Precise Adjustable Arm
LCD Monitor Adjustment Practice System interface

Adjustable Power Option
3mW/10mW/30mW and customizable

Power Option

Fixation light

Comfortable Treatment Distance

Blue Light option

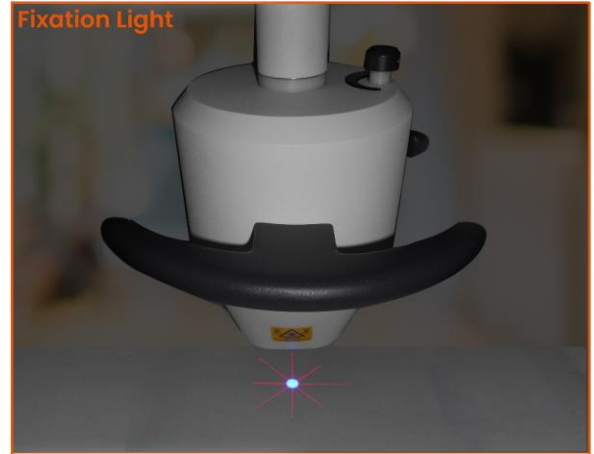
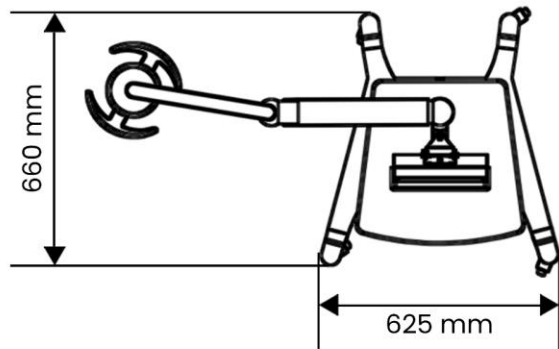
Pulsed Light Accelerated Cross Linking

Continuous Light Accelerated Cross Linking

Adjustable Diaphragm

Please contact us for customised options, accessories and detailed information.

STANDARD TYPE TECHNICAL DRAWING



IMPORTANT Yuratek Ltd. Şti. subject to change in design and / or specifications without advanced notice. For detailed info please contact your dealer.